

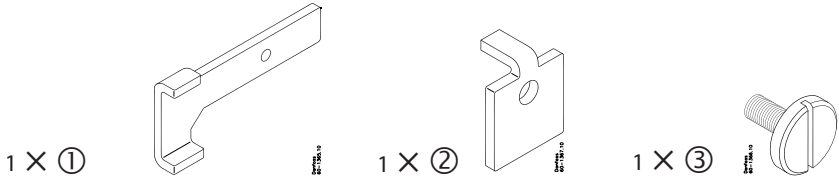
Instructions

KP Universal Stop

(060-1020)

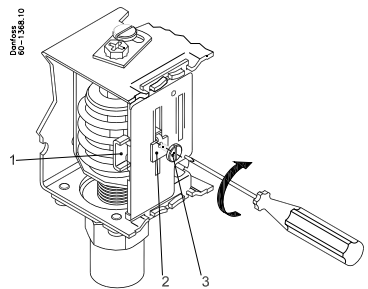
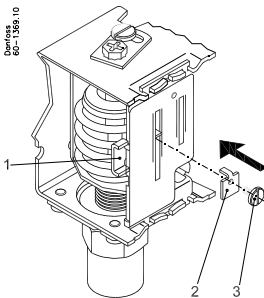
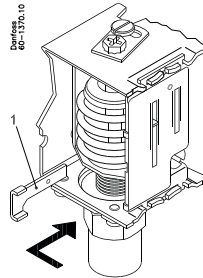
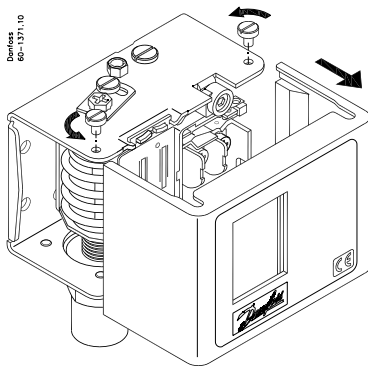
060R0229

060R0229



CAUTION:

Disconnect power supply before wiring connections are made or service to avoid possible electrical shock or damage to equipment.
Do never touch live parts with your fingers or with any tool.



Please note: this accessory will not tamperproof the setting. It is still possible to change the setting using force and set the unit outside the limits indicated by this accessory when mounted on KP/KPI device. Doing that will cause scale pointer bending and result in scale inaccuracy.