

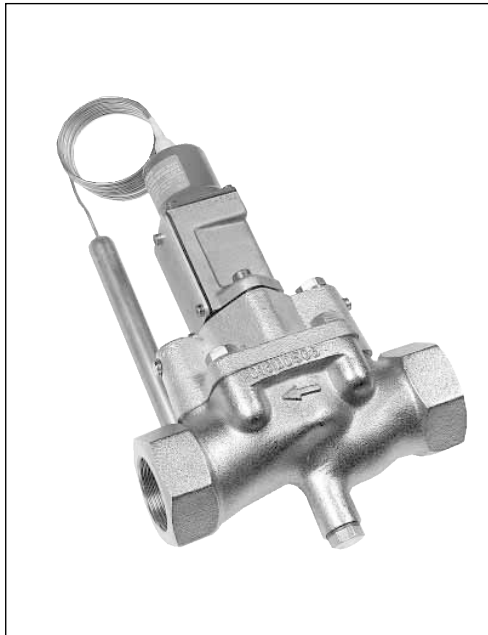
Thermostatically operated
cooling water valves
Type WVTS

Contents

	Page
Application	3
Technical data	3
Material - parts in contact with the media	4
Capacity	5
Ordering	6
Dimensions and weight	7

**Type WVTS
for neutral media**

Application



Cooling water valve WVTS is suitable for controlling the temperature of a flow of water or neutral brine.

WVTS opens on rising sensor temperature.

Technical data

Operation	Servo-operated
Type	WVTS

Sensor side

Temperature range	0 - +30°C	+25 - +65°C	+50 - +90°C
Max. sensor temperature	+57°C	+90°C	+125°C

Liquid side

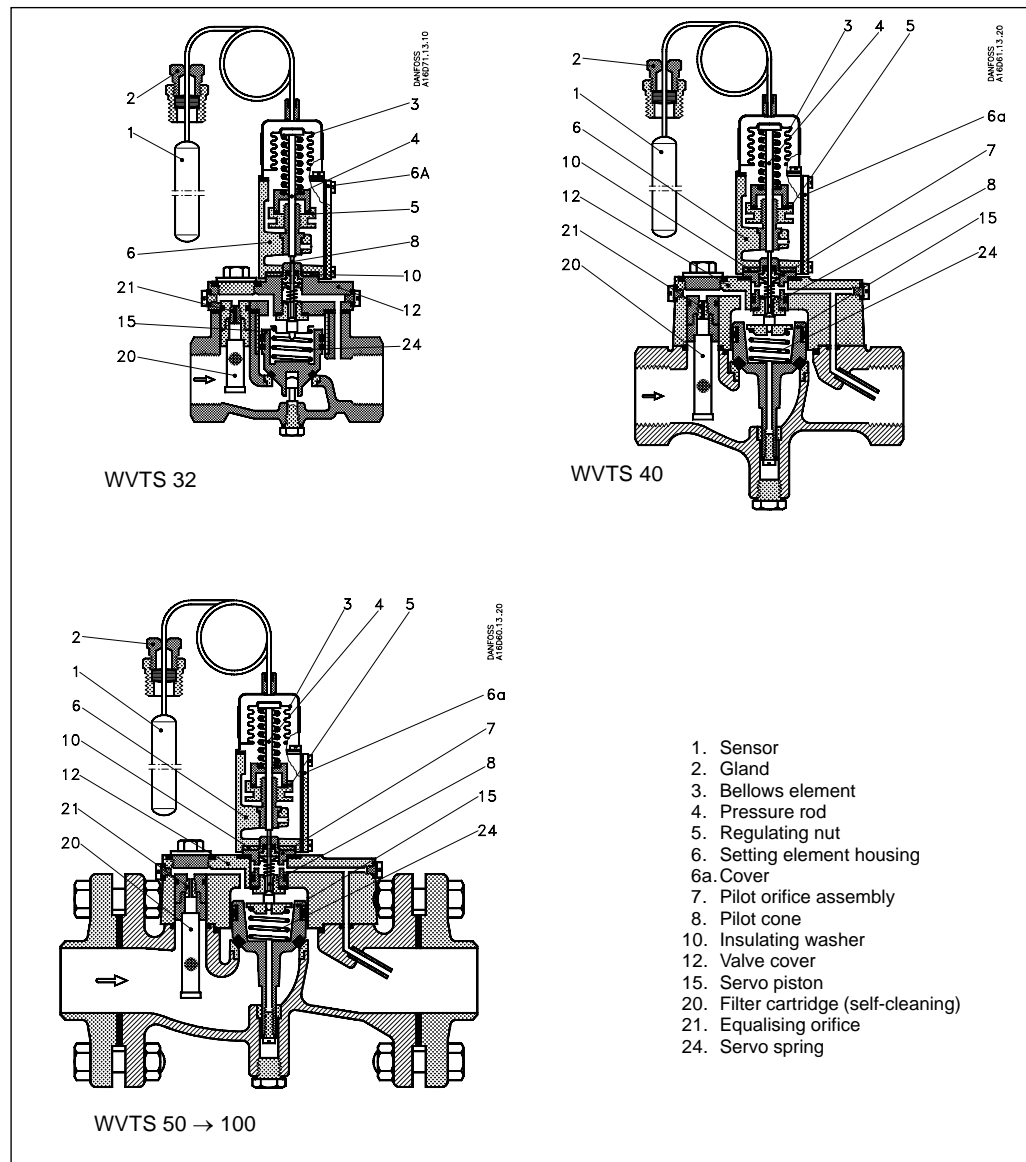
Media	Fresh water, neutral brine		
Media temperature range	-25 - +90°C		
Permissible working pressure PB	10 bar		
Max. test pressure	16 bar		
Opening differential pressure	WVTS 32 - 40:	min. 0.5 bar; max. 4 bar	
	WVTS 50 - 100:	min. 0.3 bar; max. 4 bar	

Valves are supplied with capillary tube gland. Different lengths of capillary tube are available.

If WVTS is required with an opening differential pressure of 1 → 10 bar, the valve servo spring must be replaced. See "Ordering".

**Type WVTS
for neutral media**

**Material - parts in contact
with the medium**

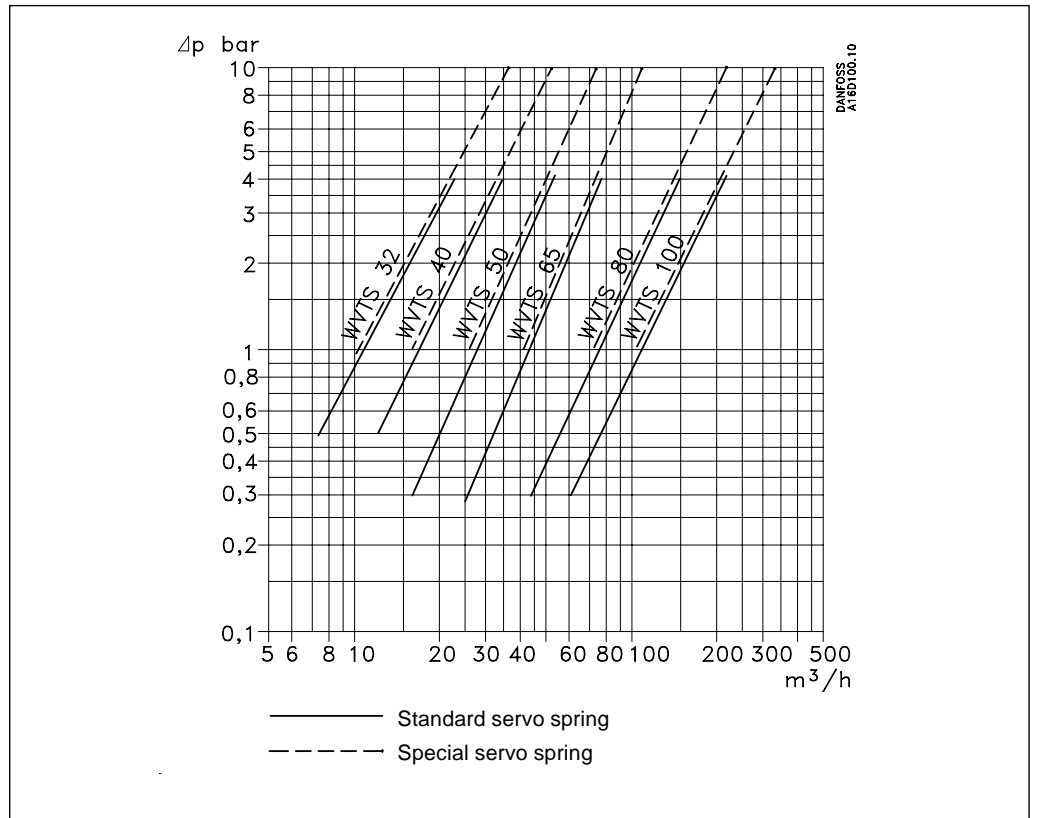


The valve body is made of cast iron with pressed-in bronze seat. The pilot orifice assembly (7) consists of a housing with seat and pilot cone of stainless steel. A filter cartridge (20) is built into the valve cover. Here the equalising orifice is protected by a replaceable filter. The bellows in the bellows element (3) are of tin bronze. In designing WVTS, great emphasis was placed on producing a valve with a completely tight seat and no external leakage. The servo piston was therefore fitted with a ring of special rubber that creates an elastic seal against the valve seat. A specially designed rubber sleeve ensures

that the servo piston moves in the cylinder with minimum friction. External valve leakage is prevented at the pilot cone where the spindle is fitted with Teflon cupwashers. Cover gaskets and pilot channel seals are rubber. The water-tight rubber seal between cover (6a) and housing (6) ensure that moisture cannot enter and freeze up the spindle. The insulating washer (10) prevents heat transmission between valve body and setting element housing.

**Type WVTS
for neutral media**

Capacity

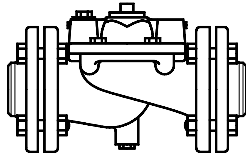


The capacity curves show the capacity (water quantity in m³/h) of the individual valve sizes as a function of pressure drop across the valve.

The capacities are given for approx. 85% valve opening and are obtained with an offset of 4°C (temperature rise at sensor) on both upper and lower temperature ranges.

**Type WVTS
for neutral media**

Ordering



WVTS components

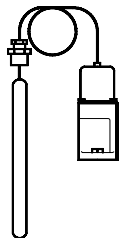
Valve type	Connection	k _v value ²⁾ [m ³ /h]	Code no.		
			Valve housing	Flange set ³⁾	Special servo spring for differential pressure range 1 - 10 bar
WVTS 32	G 1 1/4 ¹⁾	12.5	016D5032		016D1327
WVTS 40	G 1 1/2 ¹⁾	21.0	016D5040		016D0575
WVTS 50	2 in. weld fl.	32.0	016D5050 ⁴⁾	027N3050	016D0576
WVTS 65	2 1/2 in. weld fl.	45.0	016D5065 ⁴⁾	027N3065	016D0577
WVTS 80	3 in. weld fl.	80.0	016D5080 ⁴⁾	027N3080	016D0578
WVTS 100	4 in. weld fl.	125.0	016D5100 ⁴⁾	027N3100	016D0579

¹⁾ ISO 228/1.

²⁾ The k_v value is the flow quantity of water in m³/h with a pressure drop across the valve of 1 bar, ρ = 1000 kg/m³.

³⁾ Code nos. include 2 flanges.

⁴⁾ Code nos. include valve housing, flange gaskets, flange bolts and screws for pilot valve.



WVTS, thermostatic pilot element ¹⁾

Range [°C]	Capillary tube length [m]	Code no.
0 - 30	2	016D1002
25 - 65	2	016D1003
50 - 90	2	016D1004
0 - 30	5	016D1005
25 - 65	5	016D1006
50 - 90	5	016D1007

¹⁾ The pilot element includes control element and spring housing.

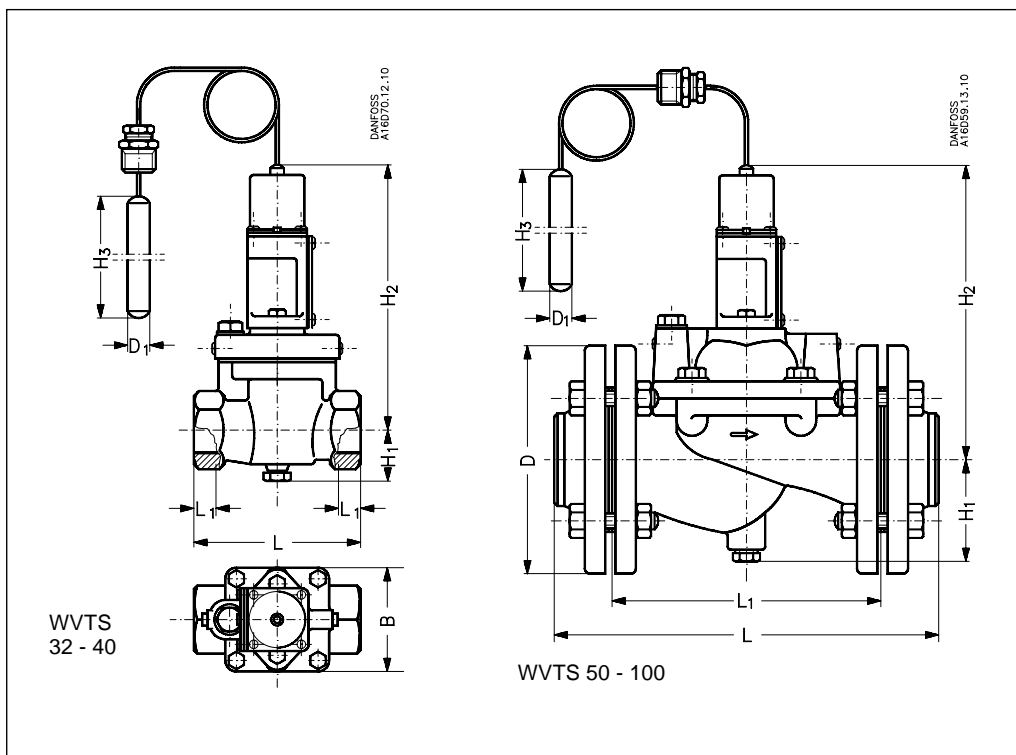
Accessories

Description	Code no.
Immersion sensor (sensor pocket)	003N0050
Capillary tube gland ¹⁾	003N0155

¹⁾ 1 capillary tube gland supplied as standard accessory

**Type WVTS
for neutral media**

Dimensions and weights



Type	H ₁ [mm]	H ₂ [mm]	H ₃ [mm]	L [mm]	L ₁ [mm]	B [mm]	∅D [mm]	∅D ₁ [mm]	Weight [kg]
WVTS 32	42	196	210	138	20	85		18	4
WVTS 40	72	224	210	198	30	100		18	7
WVTS 50	78	230	210	315	218		165	18	19
WVTS 65	82	246	210	320	224		185	18	24
WVTS 80	90	278	210	370	265		200	18	34
WVTS 100	100	298	210	430	315		220	18	44

Type WVTS

Danfoss can accept no responsibility for possible errors in catalogues, brochures and other printed material. Danfoss reserves the right to alter its products without notice. This also applies to products already on order provided that such alterations can be made without subsequential changes being necessary in specifications already agreed. All trademarks in this material are property of the respective companies. Danfoss and the Danfoss logotype are trademarks of Danfoss A/S. All rights reserved.
