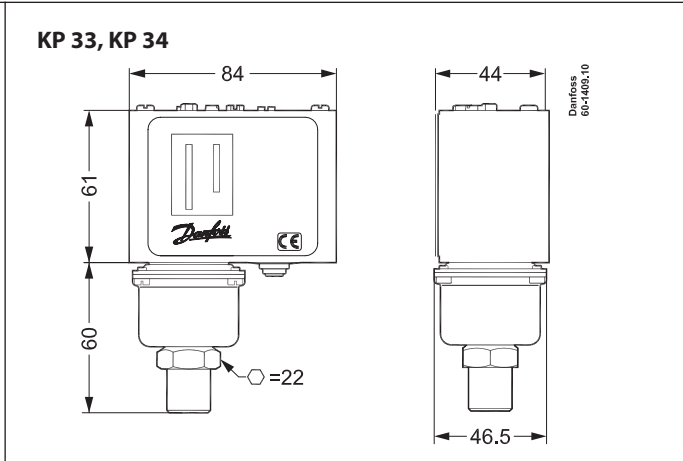
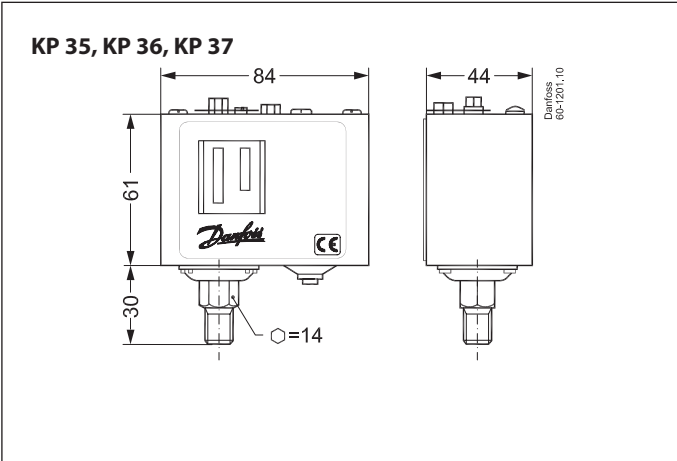


Installation Guide

Pressure Controls

KP 33, KP 34, KP 35, KP 36 and KP 37

060R9309



060R9309

KP 33, KP 34, KP 35, KP 36, KP 37

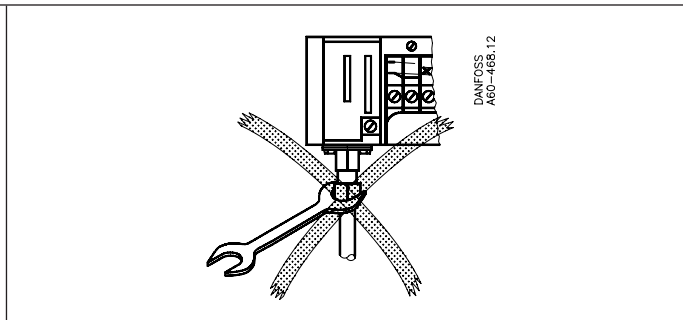
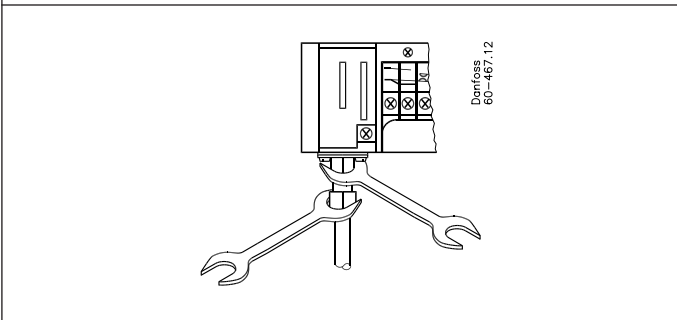
t_1 min. -40°C
 t_1 max. 65°C

t_2 min. -40°C
 t_2 max. 100°C

$P_{\text{test,max.}}$

- KP 33: 10 bar
- KP 34: 6 bar
- KP 35: 22 bar
- KP 36: 22 bar
- KP 37: 32 bar

No maintenance is required for the controls after final installation



KP 35, KP 36, KP 37

8-32 UNC (M4)

Drip proof IP30 (EN 60529)

CAUTION:
 The mounting panel must be plane to avoid damage of control

KP 33, KP 34

Enclosure IP44 (EN 60529)

max. 1/8 in. (2 mm)

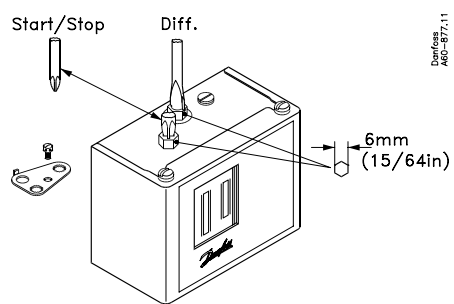
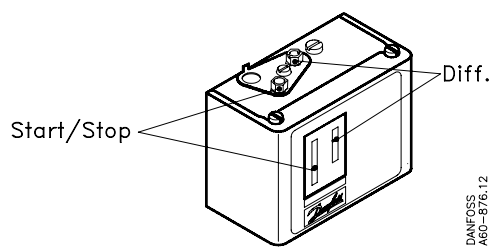
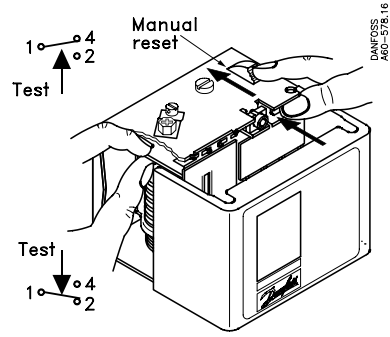
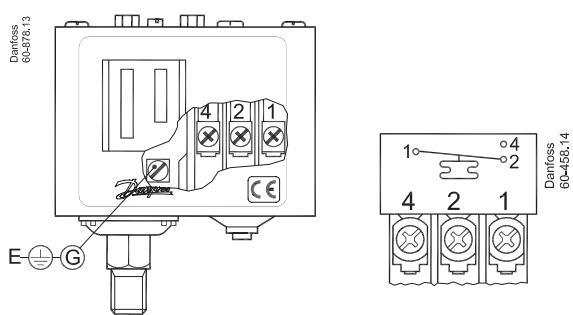
max. 1/8 in. (3mm)

Danfoss 60-1410.10

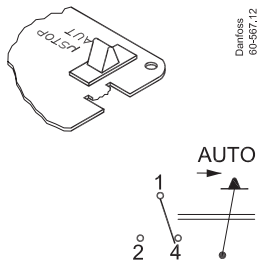


CAUTION:

Disconnect power supply before wiring connections are made or service to avoid possible electrical shock or damage to equipment.
Do never touch live parts with your fingers or with any tool.



Please note: scale in KP units is indicative only. For accurate setting or when using according to FM approval use additional pressure gauge to set the unit.



KP 36	060-548766
-------	------------

When used acc. to UL or FM regulations

Listed refrigeration controller 61B5

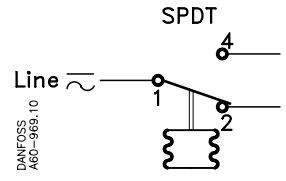
Voltage	FL	LR	Resist.	Pilot	
AC	DC	A	lead	duty	
240		8	48	8 A	3 A
120		16	96	16 A	
	240				12 W

Use copper wire only
Tightening torque 20 lb. in.

Contact system with standard AG contacts
Single pole changeover switch (SPDT)

Alternating current:
AC-1: 16 A, 400 V
AC-3: 16 A, 400 V
AC-15: 10 A, 400 V

Direct current:
DC-13: 12 W, 220 V



Contact system with gold contacts
Single pole changeover switch (SPDT)

1...30 mA, 5...30 V DC

